

MIKADO

The sophisticated smooth tile.

- The adjustment range of around 29 mm in the top and bottom interlock areas offers outstanding versatility in all new-build and renovation projects that the tile is used in, making roofing easier.
- First-class raw materials ensure exceptional homogeneity with low shrinkage, and the high level of iron oxide creates brilliantly intense authentic colours
- Two robust suspension lugs keep the tile firmly in place and ensure effective ventilation.
- Can be used in ancillary buildings with bonded coverage for roof pitches of 10°, with a waterproof sub-roof, in accordance with Central Association of the German Roofing Trade (ZVDH) guidelines

Note: For this model, a color change was made to the NUANCE copper red. Further information can be found here: [Product range info](#).



TECHNICAL DATA

Size (appr.)	275 x 446 mm
Covering width min. approx.	227 mm
Covering width on av. approx.	229 mm
Max. coverage width (approx.)	231 mm
Min. gauge (approx.)	343 mm
Covering length on av. approx.	357 mm
Max. gauge (approx.)	371 mm
Tile requirement min. (approx.)	11.7 pcs/m ²
Average tile requirement (approx.)	12.2 pcs/m ²
Brickware max. approx.	12.8 pcs/m ²
Unit weight (approx.)	3.4 kg/piece
Weight per m ² (approx.)	39.8 kg/m ²
Weight per pallet (approx.)	841 kg
Pcs per mini-pack	5 piece
Pcs per pallet	240 piece



APPLICATIONS

ADDITIONAL MEASURES ACCORDING TO CREATON MANUFACTURER'S SPECIFICATIONS	
Standard roof pitch CREATON DE in combination with additional measures according to manufacturer's specifications Standard roof pitch CREATON DE in combination with additional measures according to manufacturer's specifications	18 °
Installation of a trussing sheet/glued sub-roof without nail seals, possible CREATON products: DUO extra, DUO longlife ND extra, TRIO extra, QUATTRO longlife extra	≥ 18 °
Installation of a trussing sheet/glued sub-roof without nail seals, possible CREATON products: DUO longlife ND extra	≥ 16 °
Installation of a trussing sheet/glued sub-roof with nail seals, possible CREATON products: DUO extra, DUO longlife ND extra, TRIO extra, QUATTRO longlife extra	≥ 16 °
Installation as a rainproof sub-roof, possible CREATON products: DUO longlife ND extra, TRIO extra, QUATTRO longlife extra	≥ 14 °
Installation as a watertight sub-roof, possible CREATON products: QUATTRO longlife extra	≥ 10 °
Installation as a watertight sub-roof welded in a 7° special solution, please observe separate installation guidelines, possible CREATON products: QUATTRO longlife extra	-

TECHNICAL INFORMATIONS

- The technical drawing shown is merely an example.
- According to the Central Association of the German Roofing Trade (ZVDH) rules for verge tiles, the distance between the inner edge of the verge lug and the outer edge of the gable wall or cladding must be at least 1 cm.
- Current national rules and standards apply to the execution of roofing work. These vary from country to country (e.g. ZVDH Rules, Austrian Standards) and must be taken into consideration during execution. As manufacturer's information, CREATON-specific information about the execution of the sub-roof is also applicable and is complementary to these. You can find them in our Roof Planner or at www.creaton.de / www.creaton.at.
- Please consider the sample letter for the standard CREATON roof pitches.



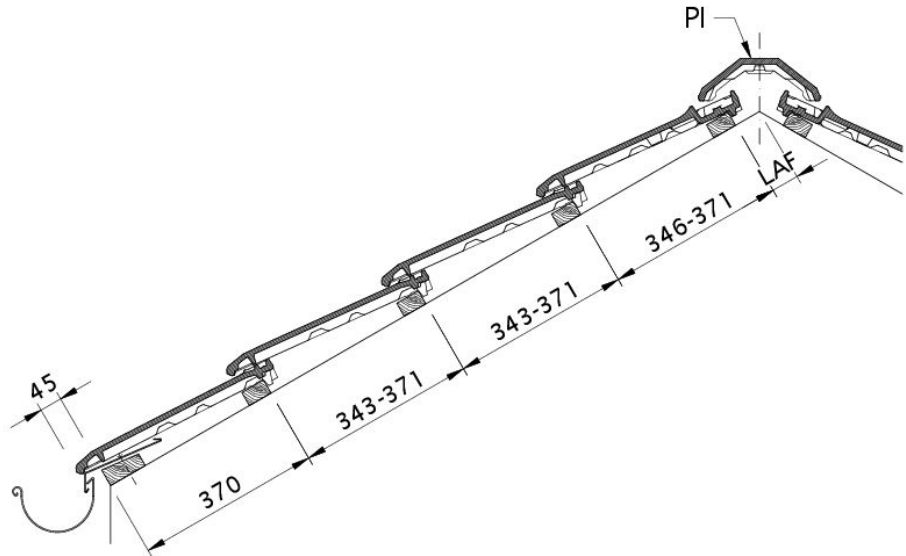
LAF-/FLA-VALUES

LAF-/FLA VALUES IN MM WITH FALZ FOR 30X50-BATTENS										
requirement ridgetile (approx.)	DN	10°	15°	20°	25°	30°	35°	40°	45°	50°
PI 2.8 pcs/m	LAF	70	70	65	60	55	50	45	40	30
PI 2.8 pcs/m	FLA	95	90	80	75	70	60	60	50	55

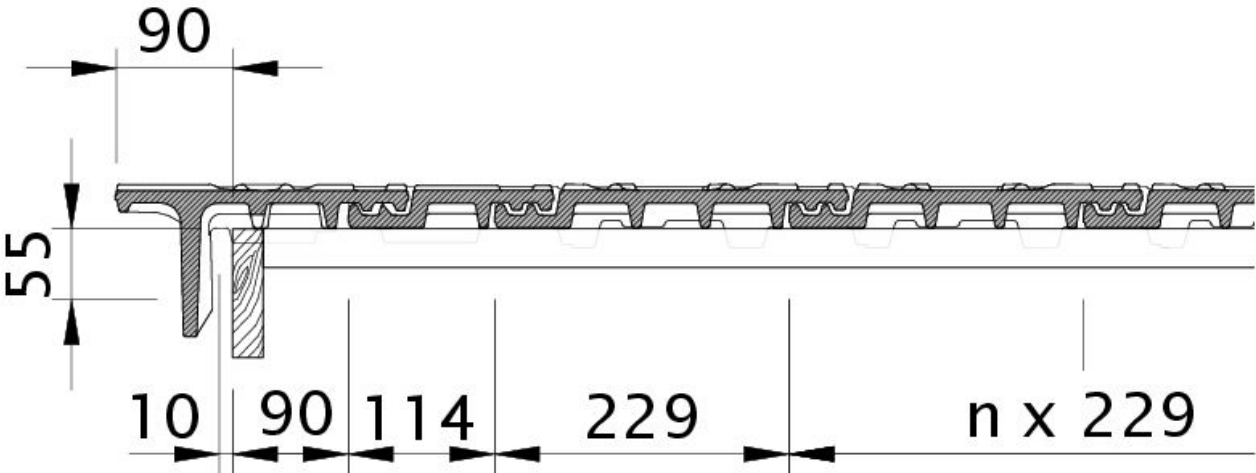
LAF-/FLA VALUES IN MM WITH FALZ FOR 40X60-BATTENS										
requirement ridgetile (approx.)	DN	10°	15°	20°	25°	30°	35°	40°	45°	50°
PI 2.8 pcs/m	LAF	70	70	65	55	50	45	40	30	15
PI 2.8 pcs/m	FLA	105	100	90	85	80	70	70	60	65

LAF-/FLA VALUES IN MM WITH FALZ FOR 50X50-BATTENS										
requirement ridgetile (approx.)	DN	10°	15°	20°	25°	30°	35°	40°	45°	50°
PI 2.8 pcs/m	LAF	65	65	60	50	45	35	30	20	5
PI 2.8 pcs/m	FLA	115	110	100	95	90	85	85	75	85



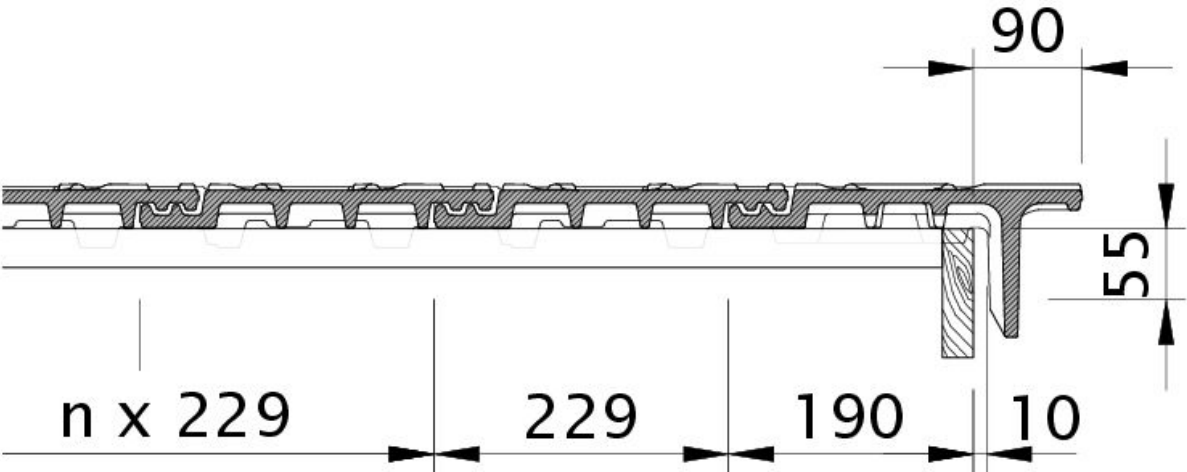


Drawing MIKADO roof cross-section DQF

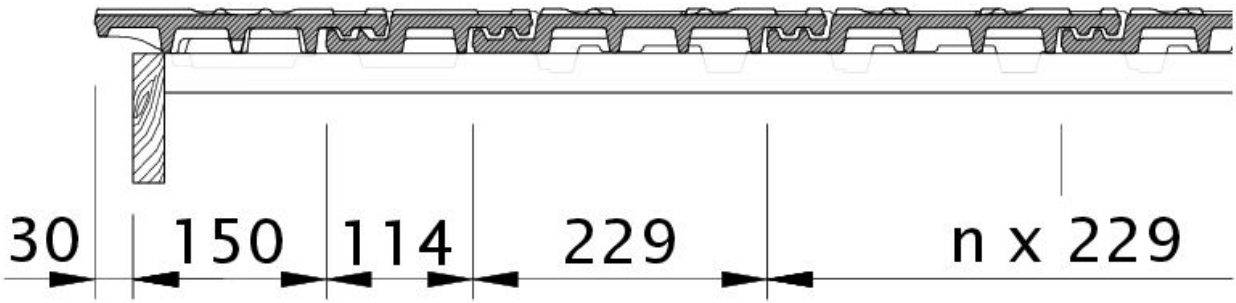


Drawing MIKADO verge tile left with barge board OBL



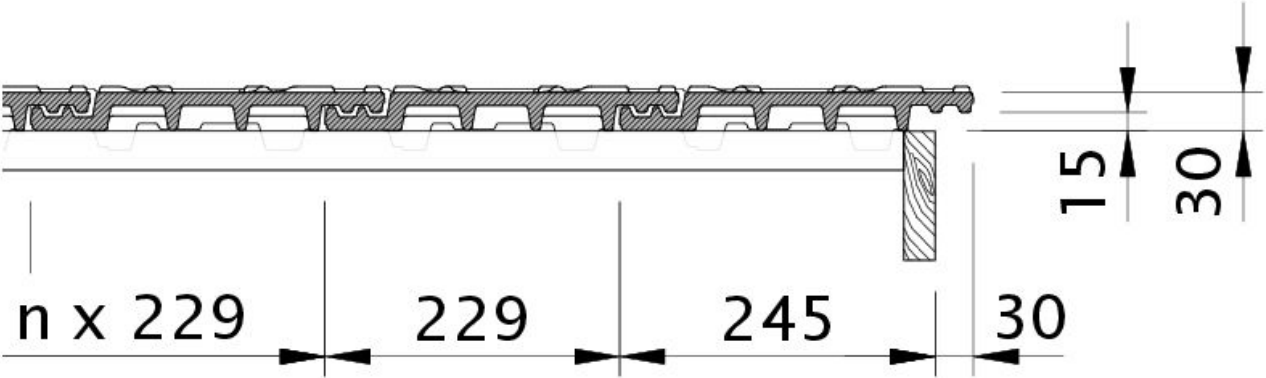


Drawing MIKADO verge tile right with barge board OBR

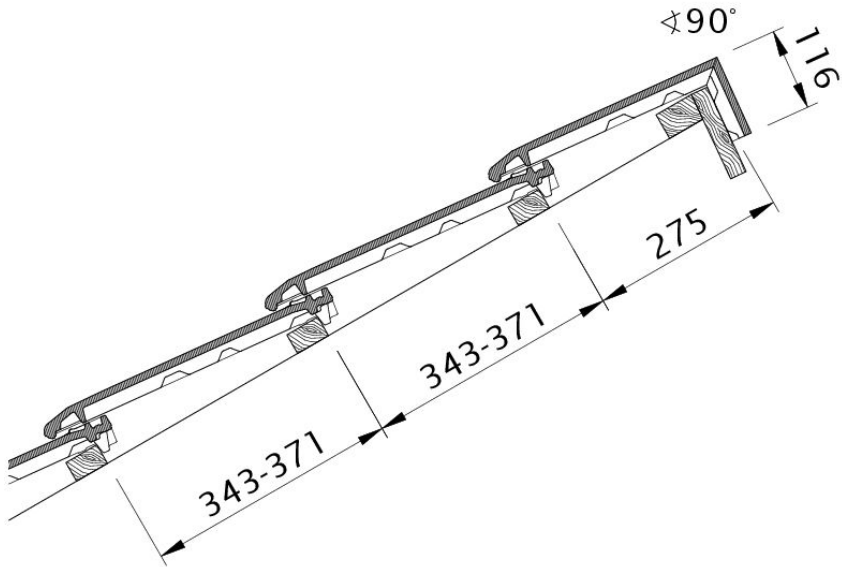


Drawing MIKADO verge left with verge sheet metal and double roll OD



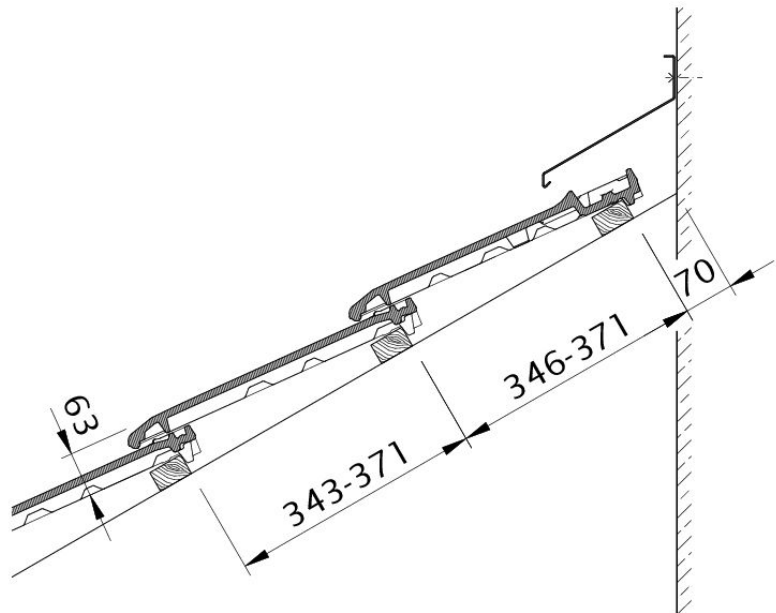


Drawing MIKADO verge right with verge sheet metal and field tile OFR

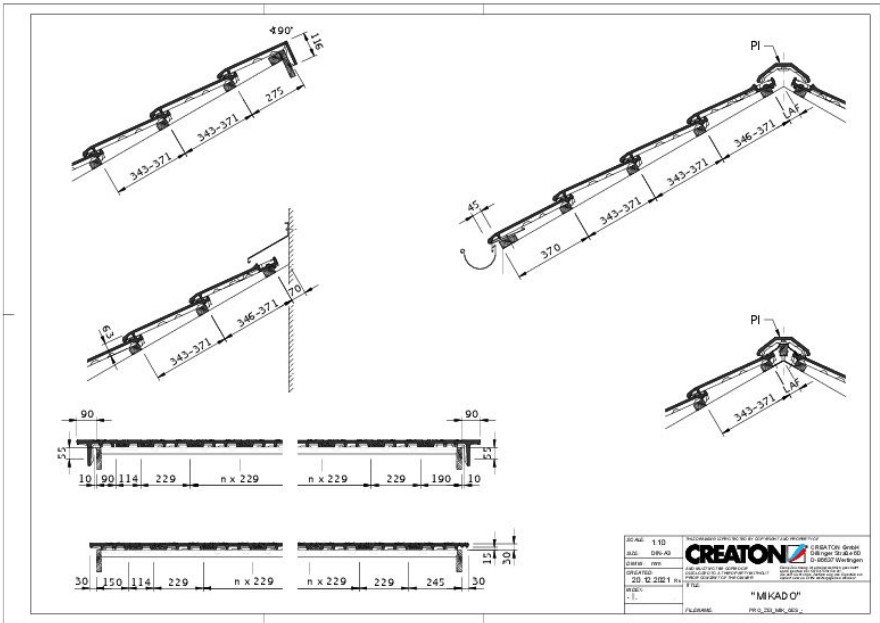


Drawing MIKADO shed roof version PDA



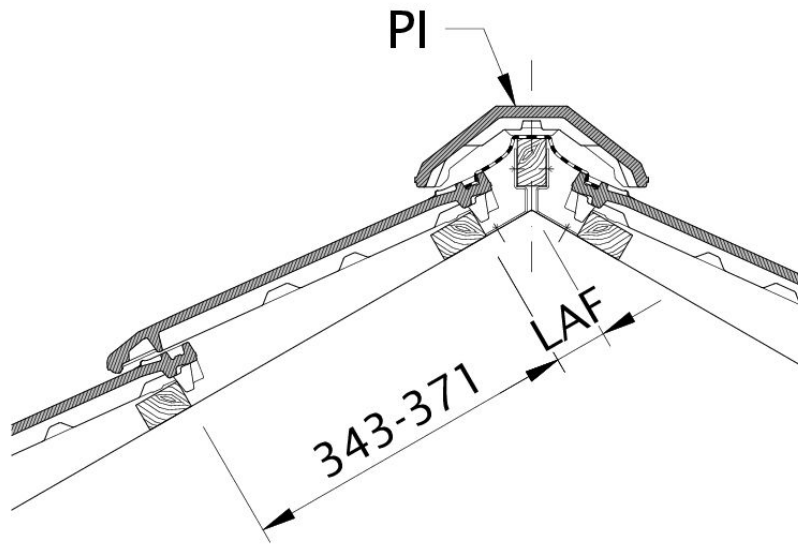


Drawing MIKADO wall connection (above) with FALZ WMF



Drawing MIKADO general view GES





Zeichnung MIKADO Lattenabstand zum Firstschnittpunkt LAF

