

CANTUS

Sophisticated and coloured throughout.

- Homogeneous tile body with a beautiful even colour thanks to the finest "KERALIS" raw materials and meticulous processing No more need to rework cut or damaged edges.
- Very versatile and easy to install, thanks to a generous 38 mm adjustment range
- Sophisticated interlock technology allows water to drain away effectively and protects against rain intrusion
- The highest quality is guaranteed by the finest raw materials, our contact-free firing process in the flat firing cassette and on-going optimisation of the production process

TECHNICAL DATA

Size (appr.)	265 x 450 mm
Covering width min. approx.	222 mm
Covering width on av. approx.	223 mm
Max. coverage width (approx.)	224 mm
Min. gauge (approx.)	348 mm
Covering length on av. approx.	366 mm
Max. gauge (approx.)	384 mm
Tile requirement min. (approx.)	11.8 pcs/m ²
Average tile requirement (approx.)	12.3 pcs/m ²
Brickware max. approx.	12.9 pcs/m ²
Unit weight (approx.)	3.55 kg/piece
Weight per m ² (approx.)	44.4 kg/m ²
Weight per pallet (approx.)	877 kg
Pcs per mini-pack	5 piece
Pcs per pallet	240 piece



APPLICATIONS

ADDITIONAL MEASURES ACCORDING TO CREATON MANUFACTURER'S SPECIFICATIONS	
Standard roof pitch CREATON DE in combination with additional measures according to manufacturer's specifications Standard roof pitch CREATON DE in combination with additional measures according to manufacturer's specifications	18 °
Installation of a trussing sheet/glued sub-roof without nail seals, possible CREATON products: DUO extra, DUO longlife ND extra, TRIO extra, QUATTRO longlife extra	≥ 18 °
Installation of a trussing sheet/glued sub-roof without nail seals, possible CREATON products: DUO longlife ND extra	≥ 16 °
Installation of a trussing sheet/glued sub-roof with nail seals, possible CREATON products: DUO extra, DUO longlife ND extra, TRIO extra, QUATTRO longlife extra	≥ 16 °
Installation as a rainproof sub-roof, possible CREATON products: DUO longlife ND extra, TRIO extra, QUATTRO longlife extra	≥ 14 °
Installation as a watertight sub-roof, possible CREATON products: QUATTRO longlife extra	≥ 10 °
Installation as a watertight sub-roof welded in a 7° special solution, please observe separate installation guidelines, possible CREATON products: QUATTRO longlife extra	-

TECHNICAL INFORMATIONS

- The technical drawing shown is merely an example.
- According to the Central Association of the German Roofing Trade (ZVDH) rules for verge tiles, the distance between the inner edge of the verge lug and the outer edge of the gable wall or cladding must be at least 1 cm.
- Current national rules and standards apply to the execution of roofing work. These vary from country to country (e.g. ZVDH Rules, Austrian Standards) and must be taken into consideration during execution. As manufacturer's information, CREATON-specific information about the execution of the sub-roof is also applicable and is complementary to these. You can find them in our Roof Planner or at www.creaton.de / www.creaton.at.
- Please consider the sample letter for the standard CREATON roof pitches.

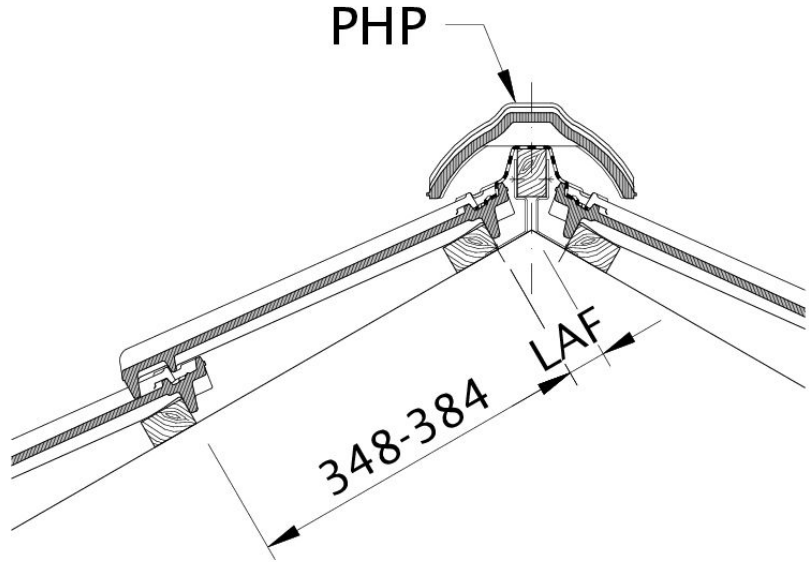


LAF-/FLA-VALUES

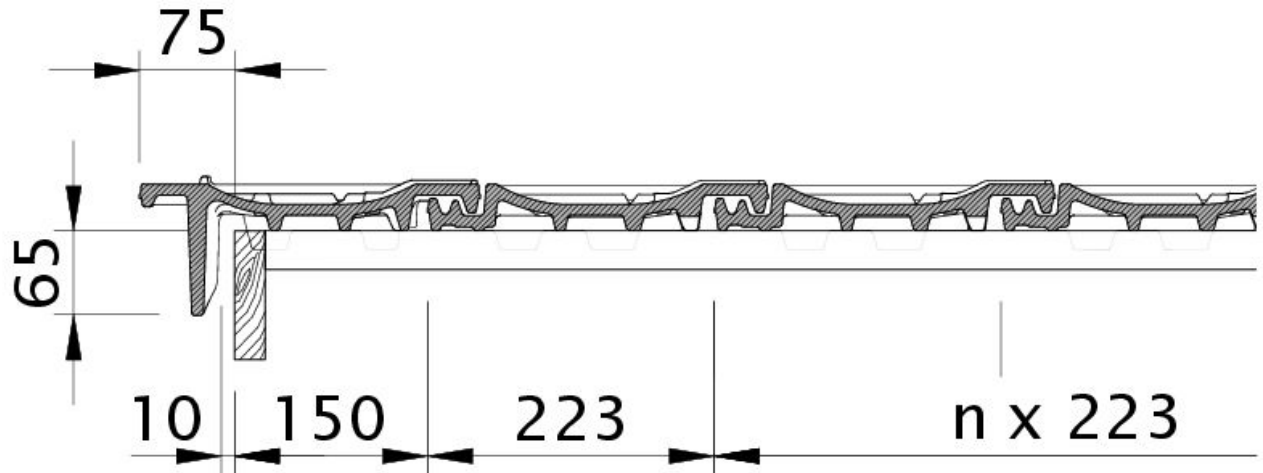
LAF-/FLA VALUES IN MM WITH FALZ FOR 30X50-BATTENS												
requirement ridgetile (approx.)	DN	10°	15°	20°	25°	30°	35°	40°	45°	50°	55°	60°
PHP 2.6 pcs/m	LAF	60	55	55	50	40	35	30	20	15	10	
PHP 2.6 pcs/m	FLA	110	105	95	90	85	80	75	70	65	60	
PP 2.5 pcs/m	LAF	70	65	60	55	50	45	40	35	35	30	20
PP 2.5 pcs/m	FLA	105	100	90	85	80	70	65	60	50	45	45

LAF-/FLA VALUES IN MM WITH FALZ FOR 40X60-BATTENS												
requirement ridgetile (approx.)	DN	10°	15°	20°	25°	30°	35°	40°	45°	50°	55°	60°
PHP 2.6 pcs/m	LAF	60	55	55	45	35	30	25	10	5		
PHP 2.6 pcs/m	FLA	120	115	105	100	95	90	85	80	75		
PP 2.5 pcs/m	LAF	70	65	60	50	45	40	35	25	20	15	5
PP 2.5 pcs/m	FLA	115	110	100	95	90	80	75	70	60	55	55

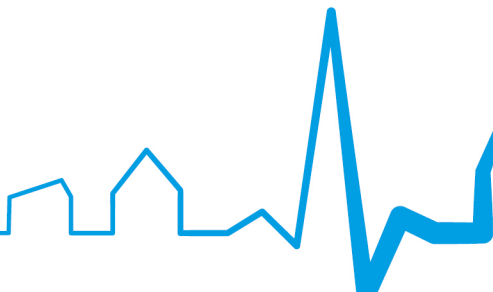


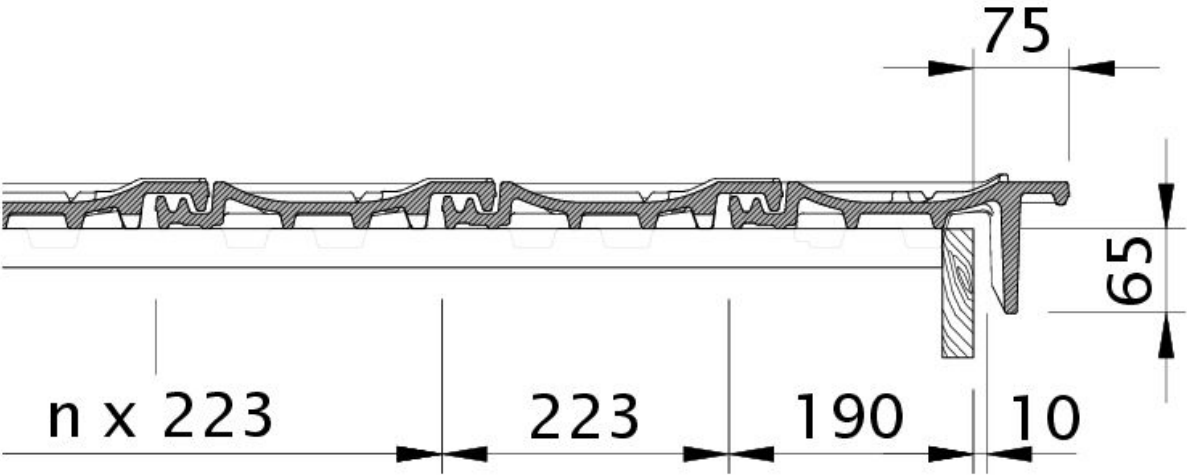


Zeichnung CANTUS Lattenabstand zum Firstschnittpunkt, Firstlattenabstand LAF

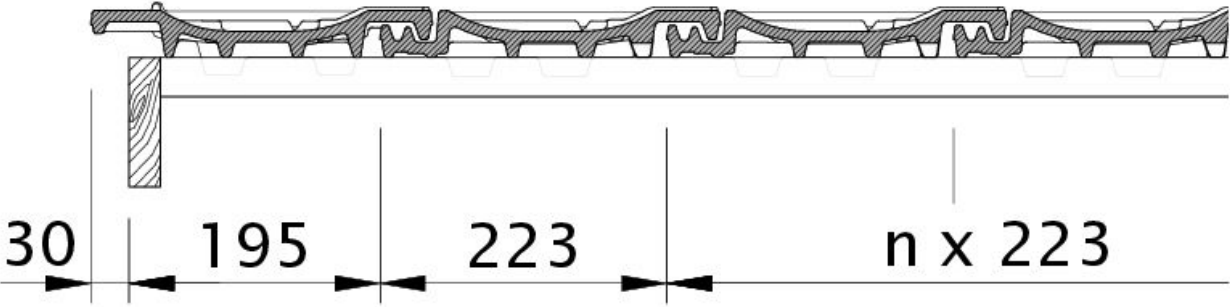


Drawing CANTUS verge tile left with barge board OBL



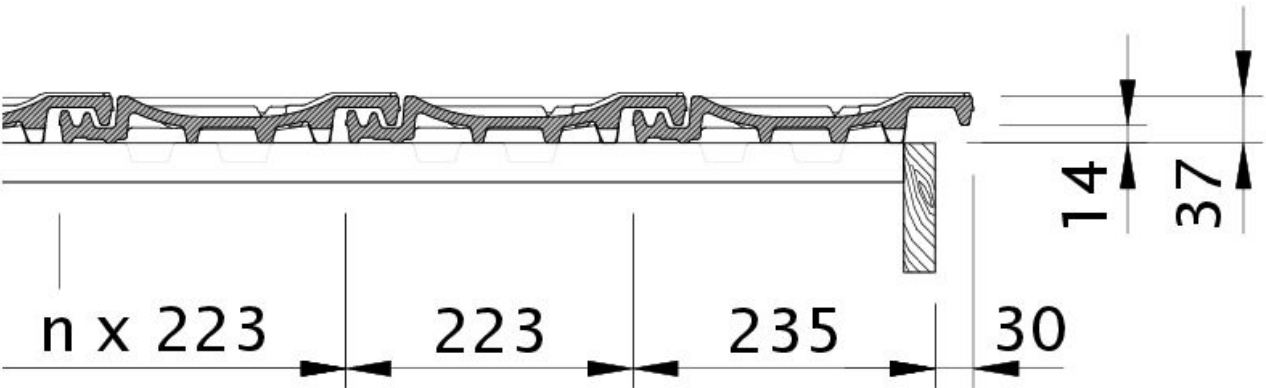


Drawing CANTUS verge tile right with barge board OBR

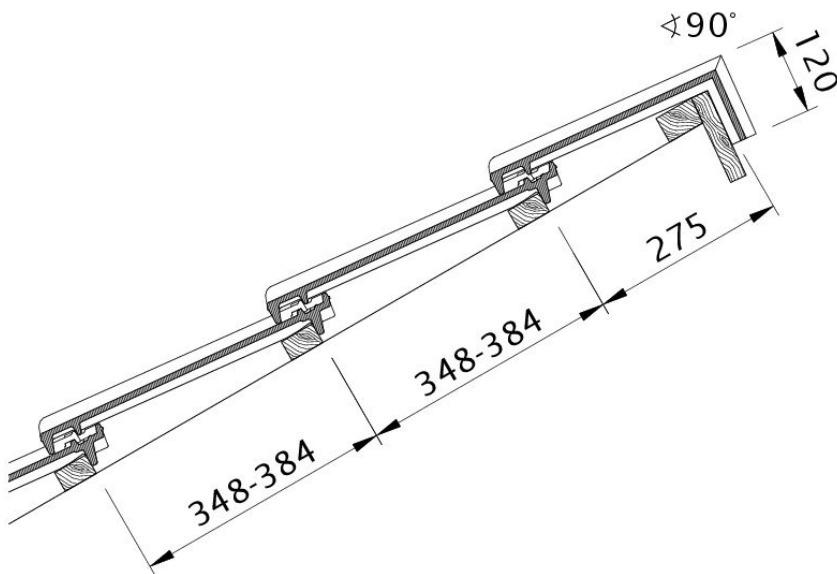


Drawing CANTUS verge left with verge sheet metal and double roll OD



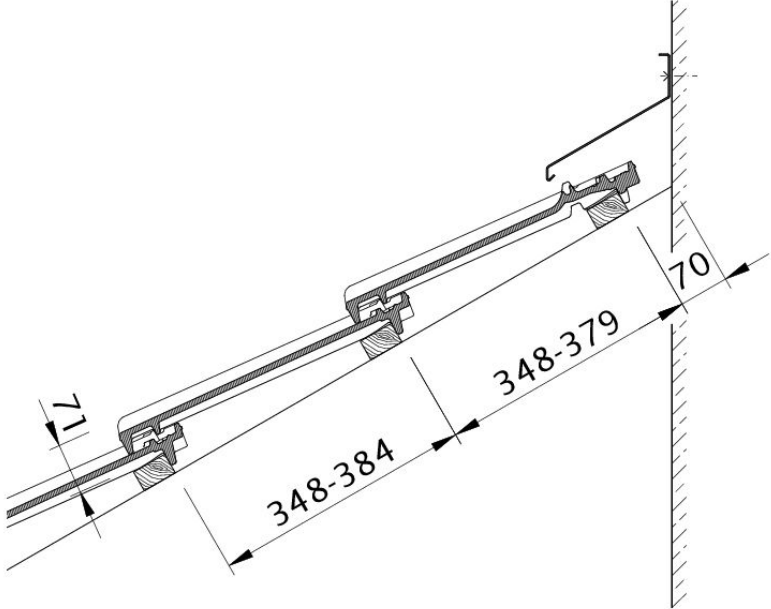


Drawing CANTUS verge right with verge sheet metal and field tile OFR



Drawing CANTUS shed roof version PDA





Drawing CANTUS wall connection (above) with FALZ WMF

