

TERRA OPTIMA

The multi-purpose reform tile.

- Exceeds the quality requirements of DIN EN 1304
- First class raw materials and the modern firing process enable the diversity of 10 colours
- Side water drainage and the double side interlock offers optimal moisture protection
- Suitable for roofs from 10° to 90° pitch
- Two robust suspension lugs ensure a secure hold and reliable rear ventilation of the roof battens
- An especially large adjustment range of 51 mm makes them ideal, even on Mansard roofs with short rafters

Note: For this model, a color change was made to the NUANCE copper red. Further information can be found here: [Product range info](#).



TECHNICAL DATA

Size (appr.)	262 x 444 mm
Covering width min. approx.	221 mm
Covering width on av. approx.	222 mm
Max. coverage width (approx.)	223 mm
Min. gauge (approx.)	330/350 mm
Covering length on av. approx.	355 mm
Max. gauge (approx.)	375 mm
Tile requirement min. (approx.)	11.9 pcs/m ²
Average tile requirement (approx.)	12.8 pcs/m ²
Brickware max. approx.	13.7 pcs/m ²
Unit weight (approx.)	3.3 kg/piece
Weight per m ² (approx.)	42.2 kg/m ²
Weight per pallet (approx.)	975 kg
Pcs per mini-pack	6 piece
Pcs per pallet	288 piece



APPLICATIONS

ADDITIONAL MEASURES ACCORDING TO CREATON MANUFACTURER'S SPECIFICATIONS	
Standard roof pitch CREATON DE in combination with additional measures according to manufacturer's specifications Standard roof pitch CREATON DE in combination with additional measures according to manufacturer's specifications	18 °
Installation of a trussing sheet/glued sub-roof without nail seals, possible CREATON products: DUO extra, DUO longlife ND extra, DUO longlife PV extra, TRIO extra, TRIO longlife extra, QUATTRO longlife extra	≥ 18 °
Installation of a trussing sheet/glued sub-roof without nail seals, possible CREATON products: DUO longlife ND extra	≥ 16 °
Installation of a trussing sheet/glued sub-roof with nail seals, possible CREATON products: DUO extra, DUO longlife ND extra, DUO longlife PV extra, TRIO extra, TRIO longlife extra, QUATTRO longlife extra	≥ 16 °
Installation as a rainproof sub-roof, possible CREATON products: DUO longlife ND extra, TRIO extra, TRIO longlife extra, QUATTRO longlife extra	≥ 14 °
Installation as a watertight sub-roof, possible CREATON products: QUATTRO longlife extra	≥ 10 °
Installation as a watertight sub-roof welded in a 7° special solution, please observe separate installation guidelines, possible CREATON products: QUATTRO longlife extra	-

TECHNICAL INFORMATIONS

- With 330 mm > 350 mm gauge, verges must be notched.
- The technical drawing shown is merely an example.
- According to the Central Association of the German Roofing Trade (ZVDH) rules for verge tiles, the distance between the inner edge of the verge lug and the outer edge of the gable wall or cladding must be at least 1 cm.
- Current national rules and standards apply to the execution of roofing work. These vary from country to country (e.g. ZVDH Rules, Austrian Standards) and must be taken into consideration during execution. As manufacturer's information, CREATON-specific information about the execution of the sub-roof is also applicable and is complementary to these. You can find them in our Roof Planner or at www.creaton.de / www.creaton.at.
- Please consider the sample letter for the standard CREATON roof pitches.



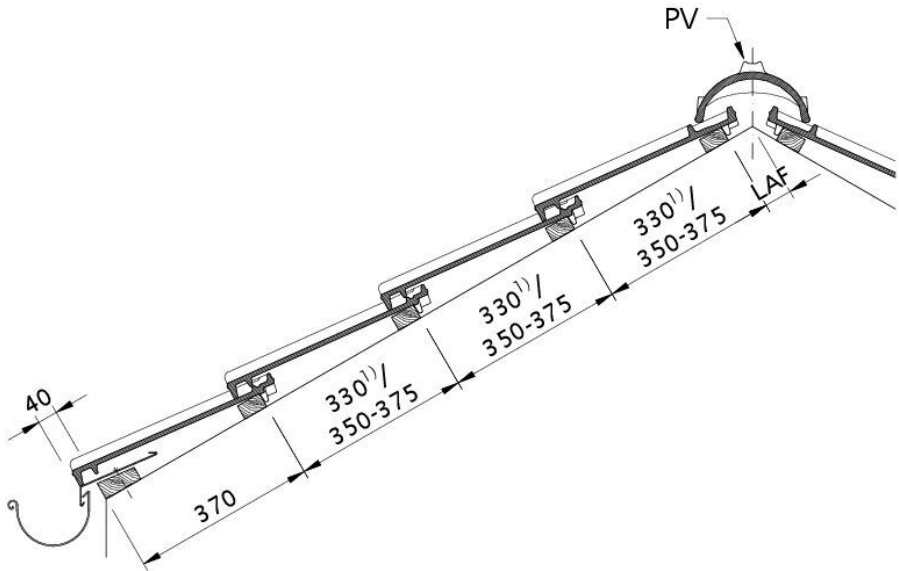
LAF-/FLA-VALUES

LAF-/FLA VALUES IN MM WITH FALZ FOR 30X50-BATTENS											
requirement ridgetile (approx.)	DN	15°	20°	25°	30°	35°	40°	45°	50°	55°	60°
PH 2.6 pcs/m	LAF	60	55	50	45	45	40	35	35		
PH 2.6 pcs/m	FLA	90	80	75	70	55	55	50	50		
PV 2.5 pcs/m	LAF	60	60	60	55	55	45	45	45	40	40
PV 2.5 pcs/m	FLA	90	80	75	65	60	50	45	35	35	35

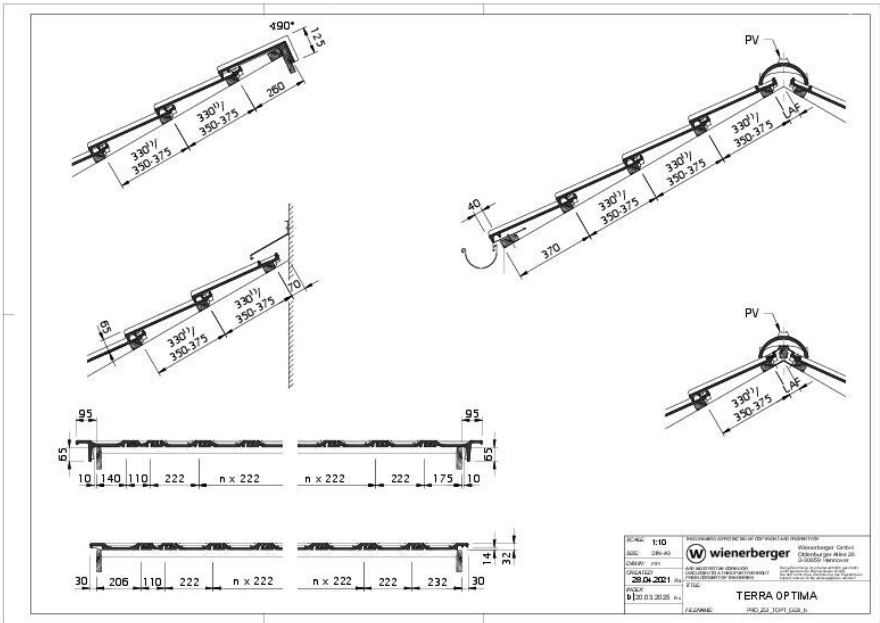
LAF-/FLA VALUES IN MM WITH FALZ FOR 40X60-BATTENS											
requirement ridgetile (approx.)	DN	20°	25°	30°	35°	40°	45°	50°	55°	60°	
PH 2.6 pcs/m	LAF	55	45	40	40	35	25	20			
PH 2.6 pcs/m	FLA	90	85	80	65	65	60	60			
PV 2.5 pcs/m	LAF	60	55	50	50	40	35	30	30	30	
PV 2.5 pcs/m	FLA	90	85	75	70	60	55	45	45	45	

LAF-/FLA VALUES IN MM WITH FALZ FOR 50X50-BATTENS								
requirement ridgetile (approx.)	DN	20°	25°	30°	35°	40°	45°	50°
PH 2.6 pcs/m	LAF	50	40	35	30	25	15	10
PH 2.6 pcs/m	FLA	100	95	90	80	80	75	80
PV 2.5 pcs/m	LAF	55	50	45	40	30	25	20
PV 2.5 pcs/m	FLA	100	95	85	85	75	70	65



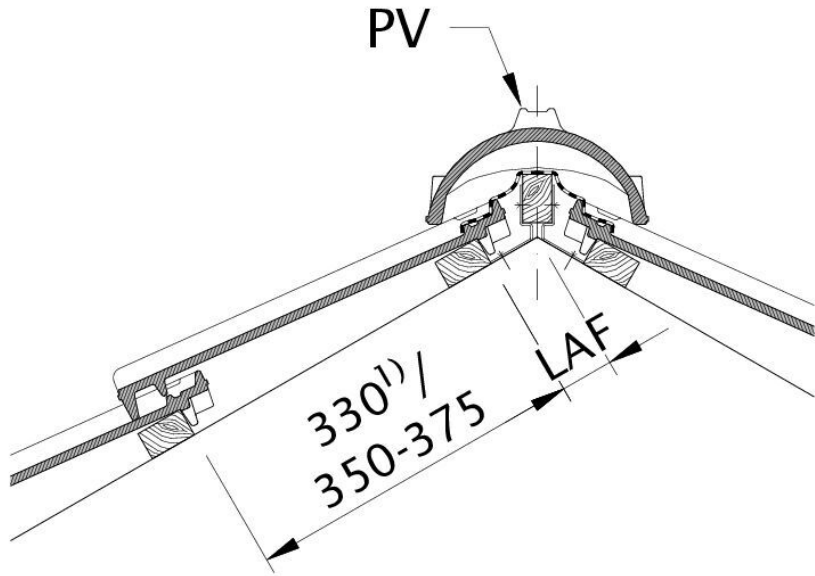


Drawing OPTIMA roof cross-section DQF

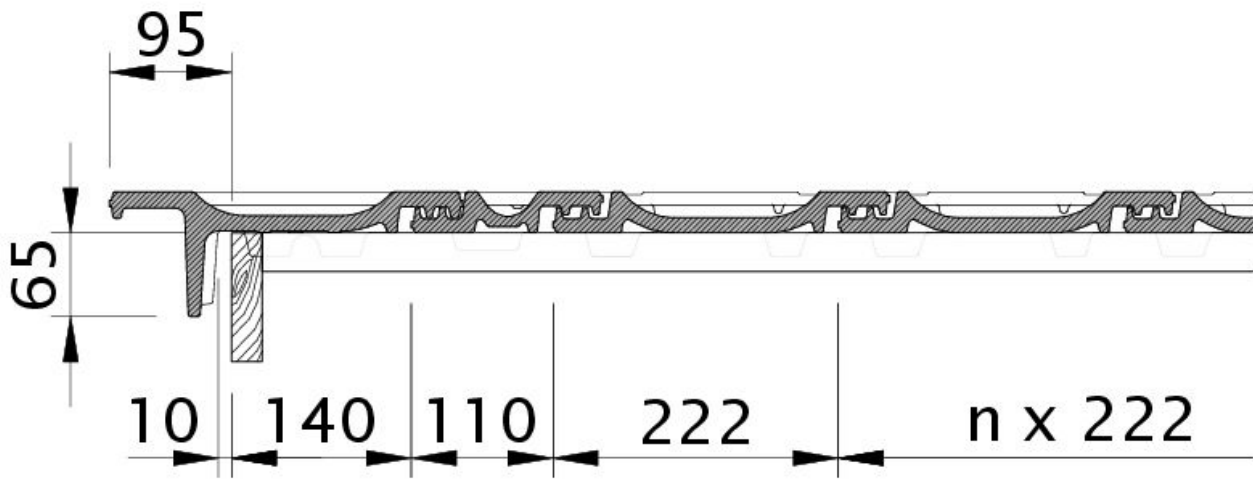


Drawing TERRA OPTIMA general view GES



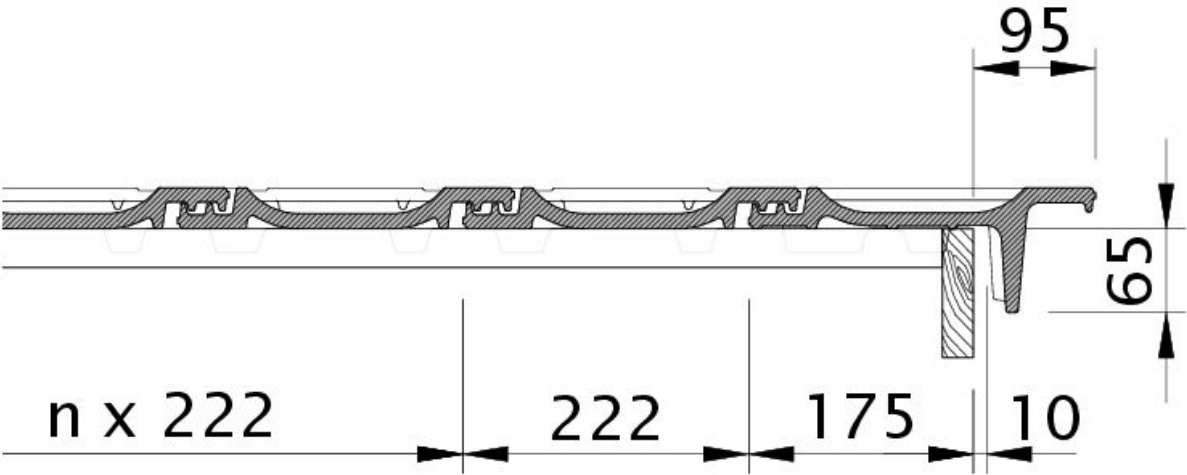


Drawing OPTIMA distance from batten to ridge intersection point, ridge batten spacing LAF

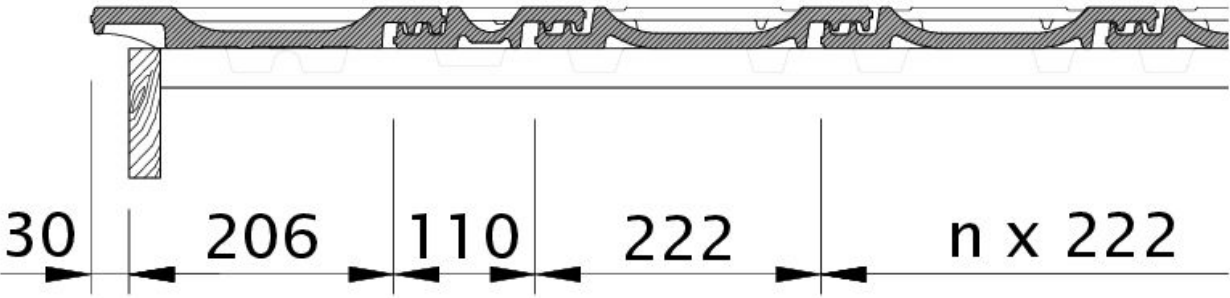


Drawing OPTIMA verge tile left with barge board OBL



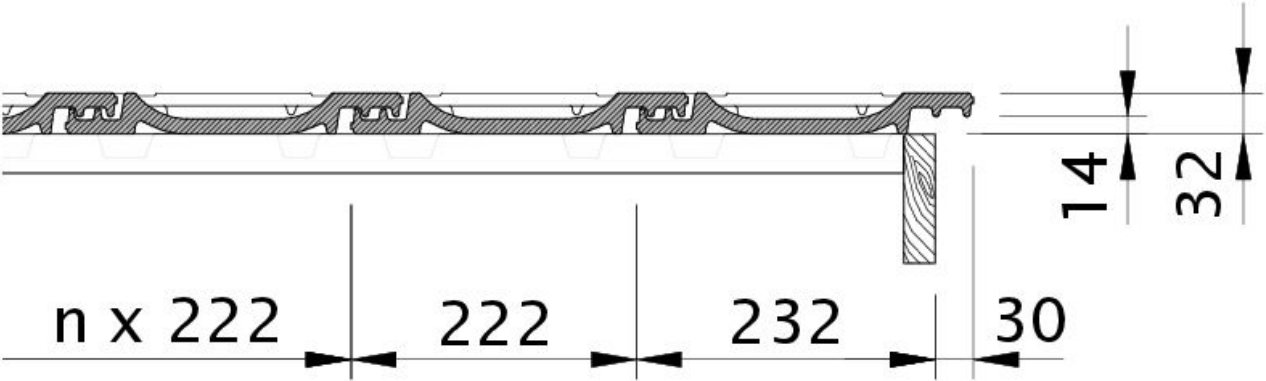


Drawing OPTIMA verge tile right with barge board OBR

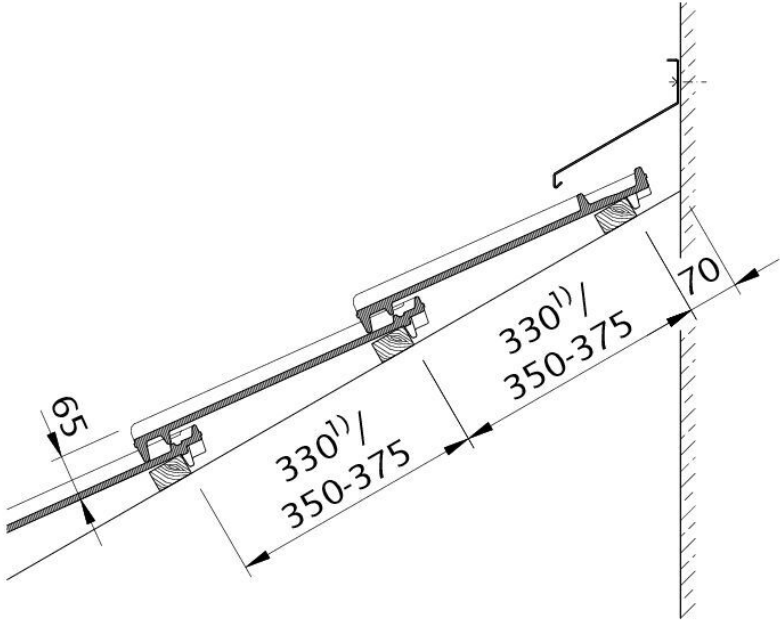


Drawing OPTIMA verge left with verge sheet metal and double roll ODL



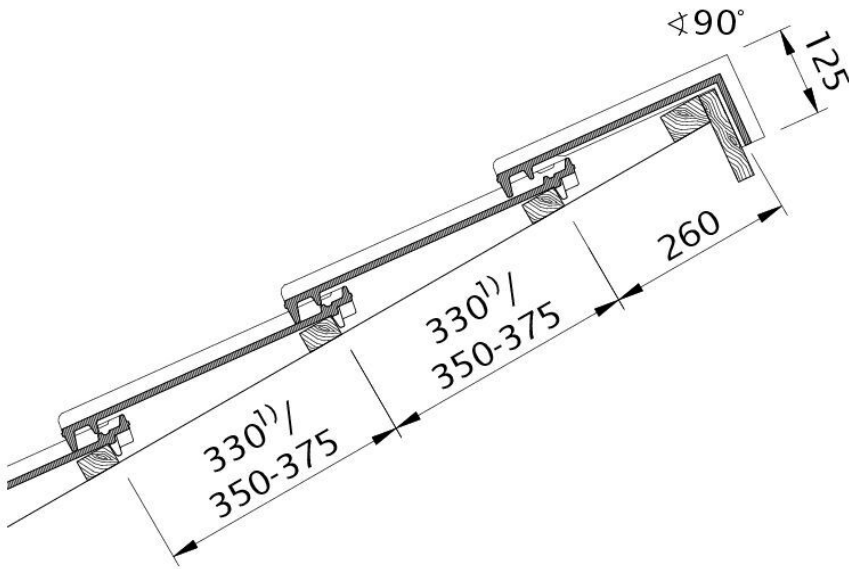


Drawing OPTIMA verge right with verge sheet metal and field tile OFR



Drawing OPTIMA wall connection (above) with FALZ WMF





Drawing OPTIMA shed roof version PDA

