

# CREATON MANSARD AND PITCH TRANSITION TILE – CONCRETE ROOF TILES

## DATA ENTRY FORM FOR SPECIAL PRODUCTION

Please complete **in full** and send to [bestellungdach@creaton.de](mailto:bestellungdach@creaton.de).

### Invoice recipient contact details

Company

Last name / first name

Street number / street name

Town/city / post code / country

Telephone

E-mail address

Order number

### Dimensions

The dimensions apply to the CREATON roof tile models HEIDELBERG, GÖTEBORG and VERONA.

Max. leg length: 280 mm

Min. leg length: 160 mm

Measure the leg length on the underside of the roof tiles.

### Installer contact details

Company

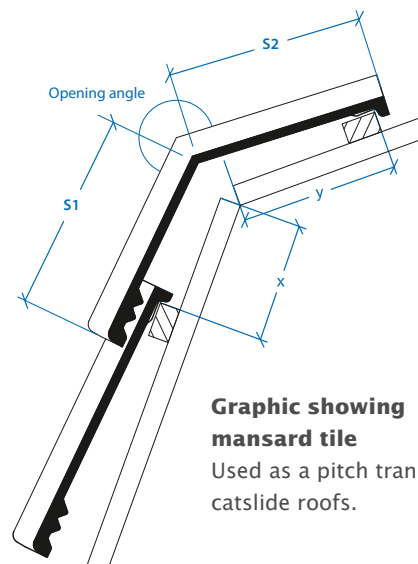
Last name / first name

Street number / street name

Town/city / post code / country

Telephone

E-mail address



### Graphic showing mansard tile

Used as a pitch transition tile for cat-slide roofs.

Roof pitch (in degrees)

S1

S2

Leg length (in mm)

S1

S2

Batten spacing (in mm)

x

y

Opening angle (in degrees)

**Product specifications**

Roof tile model

Colour

**Concrete tile design**

Mansard tile

Pitch transition tile

**Order quantity**

Mansard/pitch transition tile

Mansard/pitch transition  
half-width tile

Mansard/pitch transition verge tile  
right, notch 90 mm

Mansard/pitch transition verge tile  
right, notch 120 mm

Mansard/pitch transition verge tile  
left, notch 90 mm

Mansard/pitch transition verge tile  
left, notch 120 mm

**Other**

Place

Date

Signature



Print



Send